

Contents

BND ICON Mig/Mag Range Features Focus	30
BND ICON Mig/Mag Range Overview & Ratings	32

Torch Range

USA Terminations

ICON BN200E	34
ICON BN300E	35
ICON BN350E	36
ICON BN400E	37
ICON BN'Q'200A	38
ICON BN'Q'350A	39
USA Direct Plug Connector Kits	40

Euro Termination

ICON BN200E	41
ICON BN300E	42
ICON BN350E	43
ICON BN400E	44
ICON BN'Q'200A	45
ICON BN'Q'350A	46

Wear Parts

BND Nozzles	47
BND Contact Tips	48
BND Diffusers	48
BND Liners	49

BND ICON

A comprehensive range of USA style Mig guns.

Products are built to the exact specification as the OEM products and are 100% compatible.



Spares and wears

Interchangeability guaranteed



Durable

Tough and resilient handle sets



Articulate

Small movements, on and on.. and on



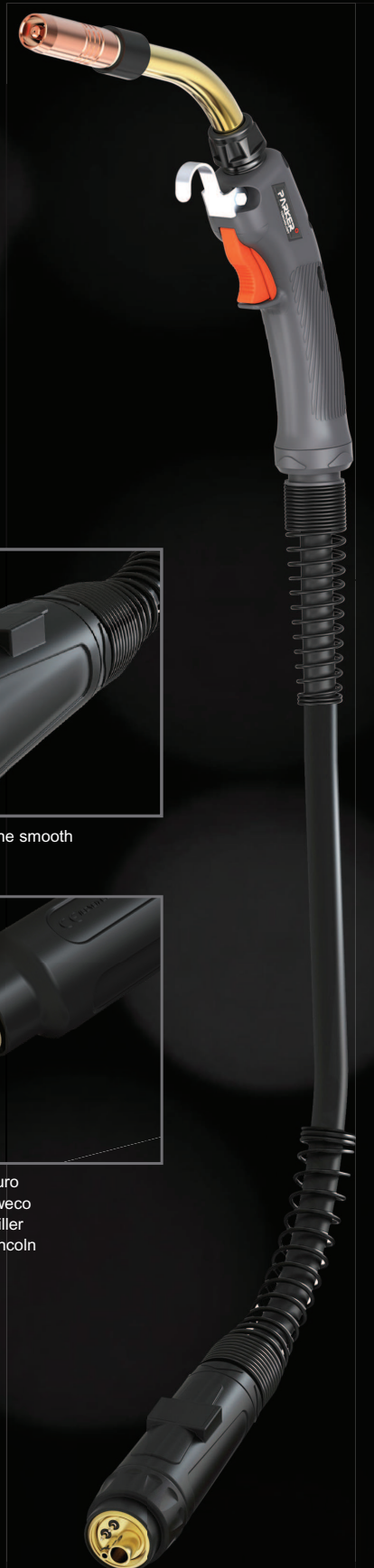
Duraflex

Rubber cable systems, never too hot to handle it

INNOVATION, TECHNOLOGY, PERFORMANCE

BND ICON Mig/Mag Torch Range

Features Focus



All hung up

Off the ground safe and sound



Housings and supports

Combine the tough and the smooth



In and out

Spring pins just keep going



Around the world

Terminations include - Euro
Tweco
Miller
Lincoln

A FRESH APPROACH WE TALK TORCHES

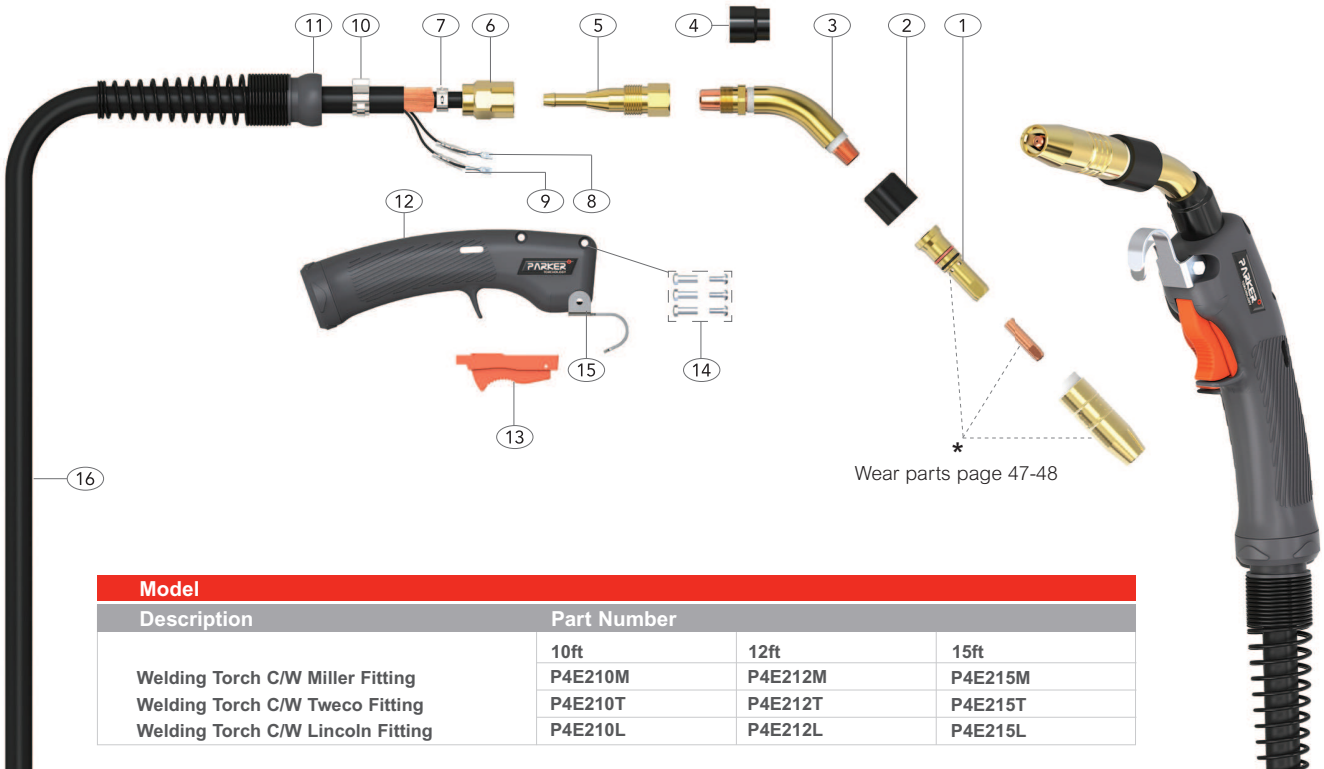
BND ICON Mig/Mag Torch Range

Ratings: 150Amp to 320Amp, Mixed Gas



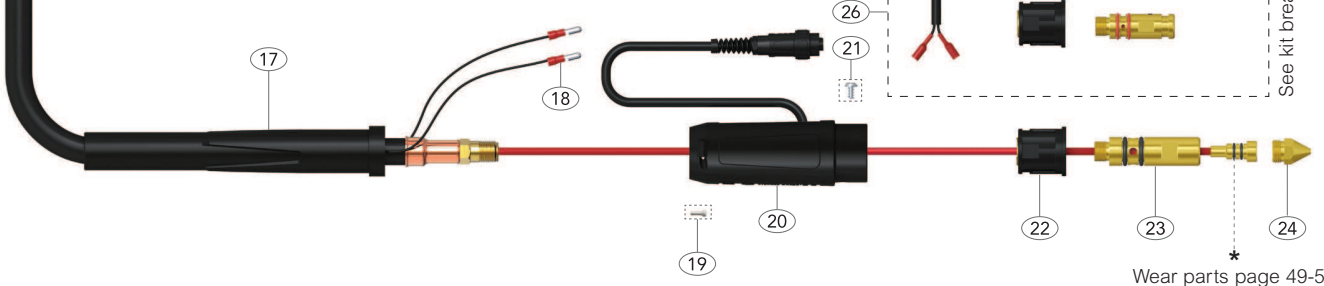
Technical Data		BN400E	BN'Q'200A	BN'Q'350A	
Cooling Method		Air-Cooled	Air-Cooled	Air-Cooled	
Rating: CO ₂		400A	200A	350A	
Rating: Mixed Gas		320A	150A	250A	
Duty Cycle:		60%	60%	60%	
Wire Size:		0.8-1.6	0.8-1.2	0.8-1.6	
	Ft				
	Meter				
Order Codes	10'	3M	P4E410 AE/M/T/L	PQ210 AE/M/T/L	PQ3510 AE/M/T/L
	12'	4M	P4E412 AE/M/T/L	PQ212 AE/M/T/L	PQ3512 AE/M/T/L
	15'	5M	P4E415 AE/M/T/L	PQ215 AE/M/T/L	PQ3515 AE/M/T/L

BN 200E Air-Cooled Mig Welding Torch
Rating: 200A CO₂, 150A mixed gas, EN60974-7 @ 60% duty cycle. 0.8 to 1.2mm wires



Model			
Description	Part Number		
	10ft	12ft	15ft
Welding Torch C/W Miller Fitting	P4E210M	P4E212M	P4E215M
Welding Torch C/W Tweco Fitting	P4E210T	P4E212T	P4E215T
Welding Torch C/W Lincoln Fitting	P4E210L	P4E212L	P4E215L

Spare parts			
Part Number	Description	Part Number	Description
1	P4335 Head Assembly	20	SC2578H/L Gun Plug Housing
2	P4323R Rubber Cap	21	PBL1541 Gun Plug Screw
3	P4786 Swan Neck Assembly	22	PECEM5060/2 Hybrid Plug Body BND
4	P4780 Neck Insulator	23	PECEM5060/1 Ece Miller Power Pin
5	P4213B End Fitting	24	PML1570 Wire Guide 0.35" - 1/16"
6	PR4305 Cone Nut		PML1571 Wire Guide 5/16" - 3/32"
7	PB5046 Hose Clamp 12mm	25	PECEL5060K Lincoln Connector Kit Complete
8	PB1521 Cable Terminal	26	PECET5060K Tweco Connector Kit Complete
9	PB1521-C Cable Terminal Cover		
10	PB5044 Hose Clamp 18.5mm		
11	PBE8016 Spring Cable Support & Ball Joint		
12	PN1780006 Handle Kit C/W Screws & Nuts & Hook		
13	P5662 Trigger Switch		
14	P1880004 Screw Pack		
15	PR4238 Hanger Hook		
16	P8681TE Duraflex Cable Assembly X 10ft		
	P8682TE Duraflex Cable Assembly X 12ft		
	P8685TE Duraflex Cable Assembly X 15ft		
17	PA3541 Cable Support		
18	PB1522 Cable Terminal Male		
19	SCSP1-1 Gun Plug Housing Screw		



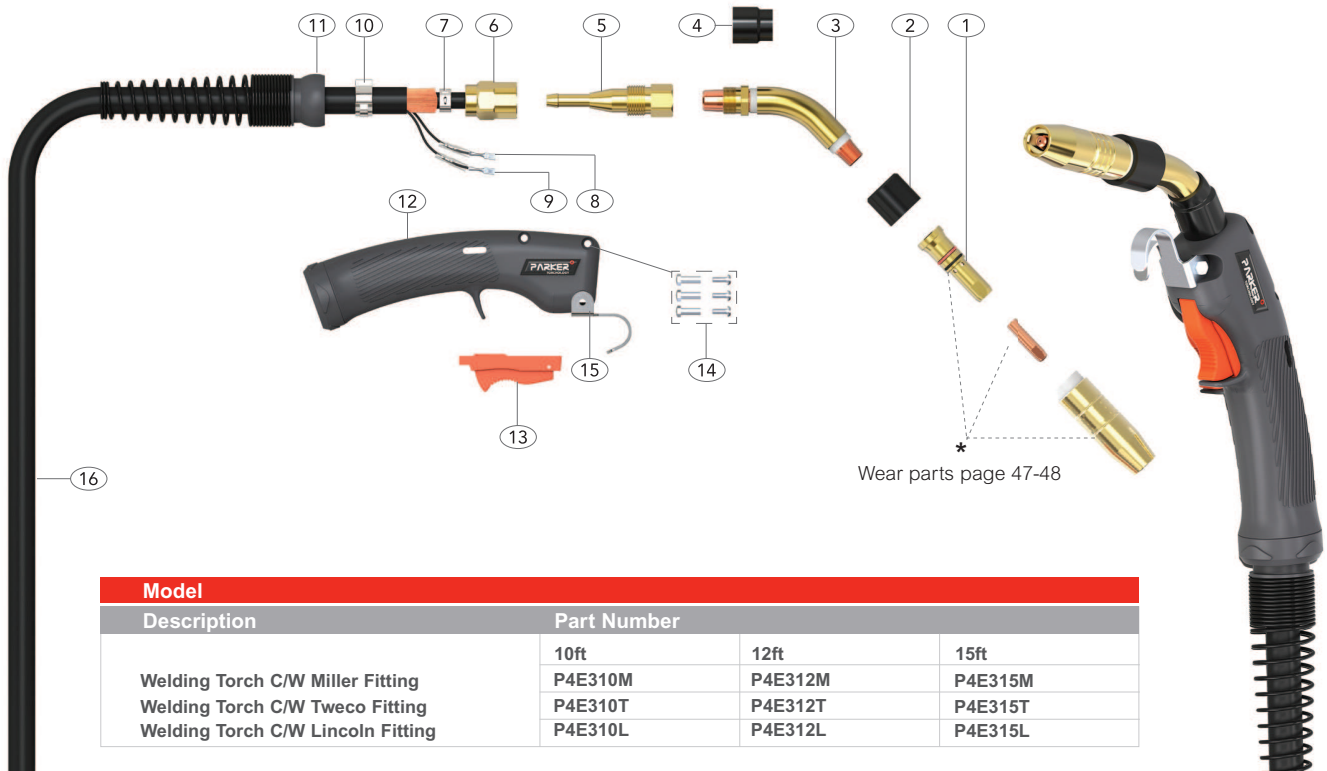
BND ICON Mig/Mag Torch Range

USA Terminations



BN 300E

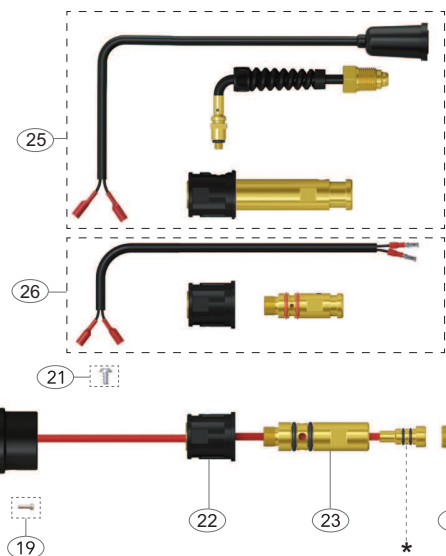
Air-Cooled Mig Welding Torch
 Rating: 300A CO₂, 200A mixed gas, EN60974-7 @ 60% duty cycle. 0.8 to 1.2mm wires



Wear parts page 47-48

Model			
Description	Part Number		
	10ft	12ft	15ft
Welding Torch C/W Miller Fitting	P4E310M	P4E312M	P4E315M
Welding Torch C/W Tweco Fitting	P4E310T	P4E312T	P4E315T
Welding Torch C/W Lincoln Fitting	P4E310L	P4E312L	P4E315L

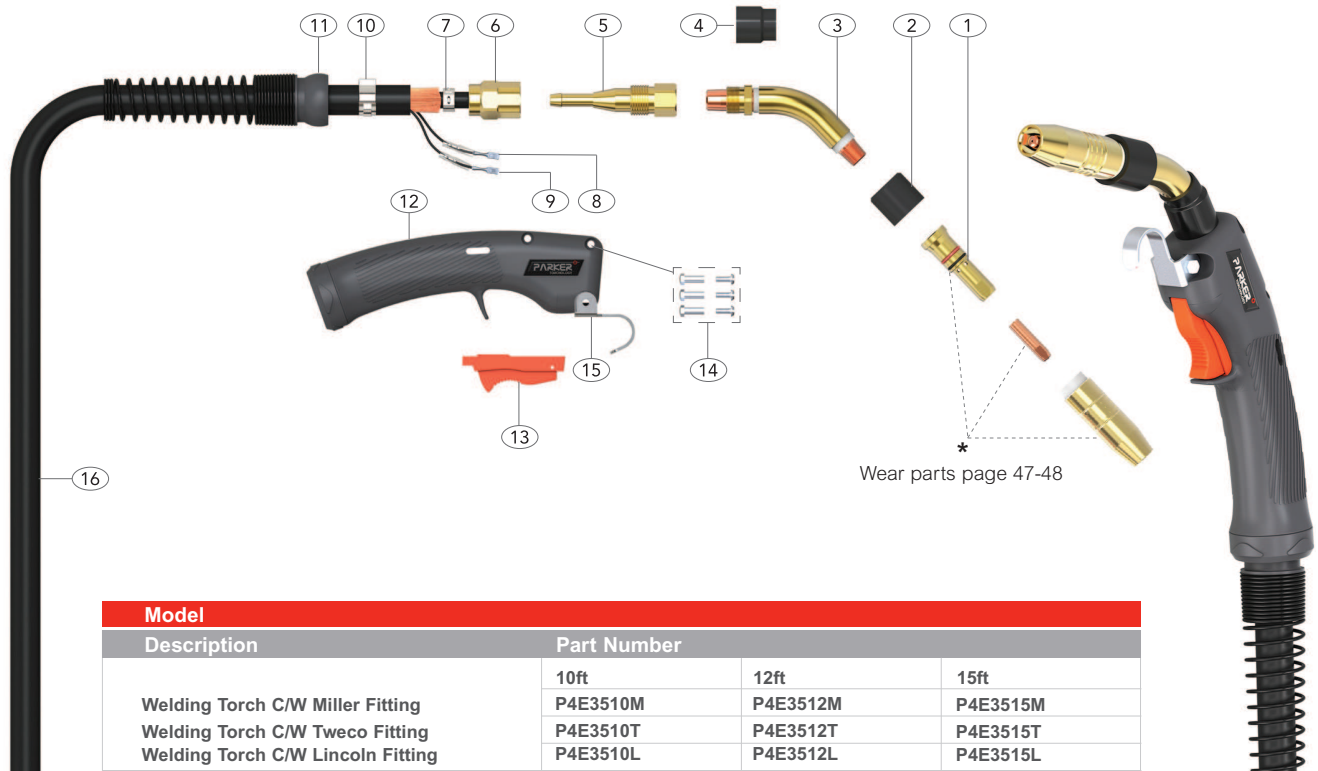
Spare parts			
Part Number	Description	Part Number	Description
1	P4335 Head Assembly	20	SC2578H/L Gun Plug Housing
2	P4323R Rubber Cap	21	PBL1541 Gun Plug Screw
3	P4786 Swan Neck Assembly	22	PECEM5060/2 Hybrid Plug Body BND
4	P4780 Neck Insulator	23	PECEM5060/1 Ece Miller Power Pin
5	P4213B End Fitting	24	PML1570 Wire Guide 0.35" - 1/16"
6	PR4305 Cone Nut		PML1571 Wire Guide 5/16" - 3/32"
7	PB5046 Hose Clamp 12mm	25	PECEL5060K Lincoln Connector Kit Complete
8	PB1521 Cable Terminal	26	PECET5060K Tweco Connector Kit Complete
9	PB1521-C Cable Terminal Cover		
10	PB5044 Hose Clamp 18.5mm		
11	PBE8016 Spring Cable Support & Ball Joint		
12	PN1780006 Handle Kit C/W Screws & Nuts & Hook		
13	P5662 Trigger Switch		
14	P1880004 Screw Pack		
15	PR4238 Hanger Hook		
16	P4261TE Duraflex Cable Assembly X 10ft		
	P4262TE Duraflex Cable Assembly X 12ft		
	P4265TE Duraflex Cable Assembly X 15ft		
17	PA3541 Cable Support		
18	PB1522 Cable Terminal Male		
19	SCSP1-1 Gun Plug Housing Screw		



See kit breakdown page 40

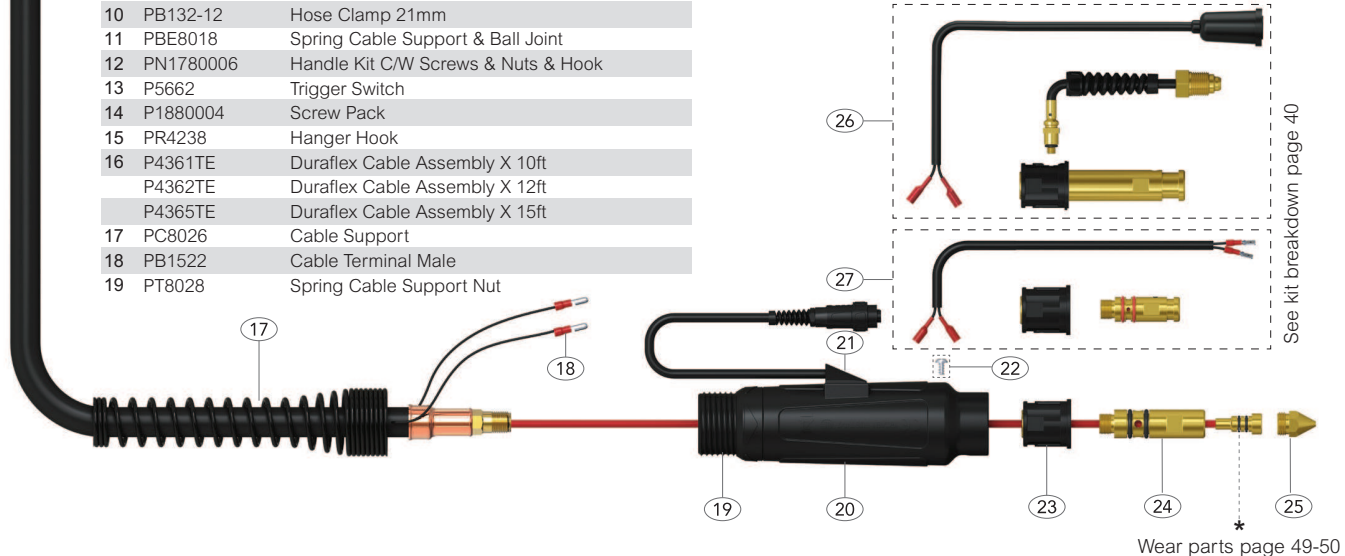
Wear parts page 49-50

BN 350E Air-Cooled Mig Welding Torch
 Rating: 350A CO₂, 250A mixed gas, EN60974-7 @ 60% duty cycle. 0.8 to 1.2mm wires



Model			
Description	Part Number		
	10ft	12ft	15ft
Welding Torch C/W Miller Fitting	P4E3510M	P4E3512M	P4E3515M
Welding Torch C/W Tweco Fitting	P4E3510T	P4E3512T	P4E3515T
Welding Torch C/W Lincoln Fitting	P4E3510L	P4E3512L	P4E3515L

Spare parts					
Part Number	Description	Part Number	Description		
1	P4335	Head Assembly	20	PT5022	Gun Plug Housing Assembly
2	P4323R	Rubber Cap	21	SC8017	Large Housing Wire Cover
3	P4786	Swan Neck Assembly	22	PBL1541	Gun Plug Screw
4	P4780	Neck Insulator	23	PECEM5060/2	Hybrid Plug Body BND
5	P4213B	End Fitting	24	PECEM5060/1	Ece Miller Power Pin
6	PR4305	Cone Nut	25	PML1570	Wire Guide 0.35" - 1/16"
7	PB5046	Hose Clamp 12mm		PML1571	Wire Guide 5/16" - 3/32"
8	PB1521	Cable Terminal	26	PECEL5060K	Lincoln Connector Kit Complete
9	PB1521-C	Cable Terminal Cover	27	PECET5060K	Tweco Connector Kit Complete
10	PB132-12	Hose Clamp 21mm			
11	PBE8018	Spring Cable Support & Ball Joint			
12	PN1780006	Handle Kit C/W Screws & Nuts & Hook			
13	P5662	Trigger Switch			
14	P1880004	Screw Pack			
15	PR4238	Hanger Hook			
16	P4361TE	Duraflex Cable Assembly X 10ft			
	P4362TE	Duraflex Cable Assembly X 12ft			
	P4365TE	Duraflex Cable Assembly X 15ft			
17	PC8026	Cable Support			
18	PB1522	Cable Terminal Male			
19	PT8028	Spring Cable Support Nut			



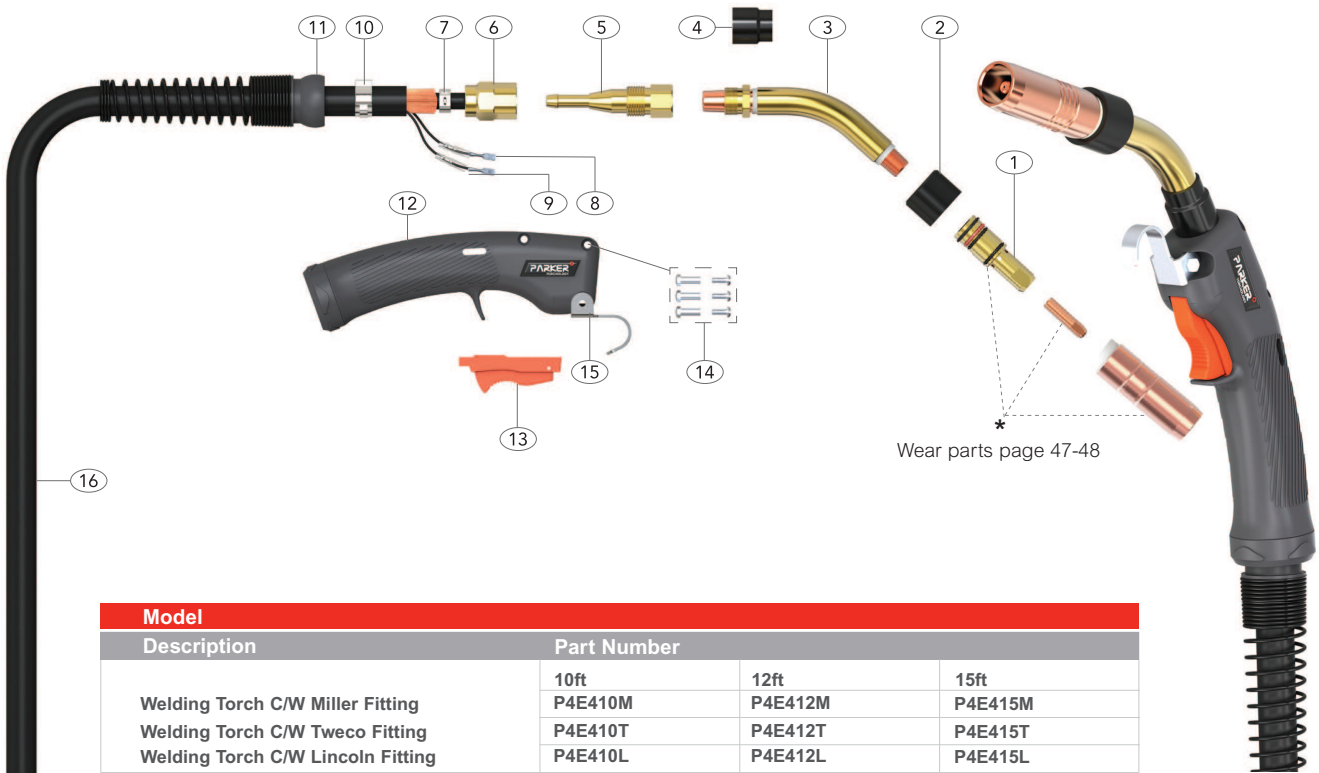
BND ICON Mig/Mag Torch Range

USA Terminations



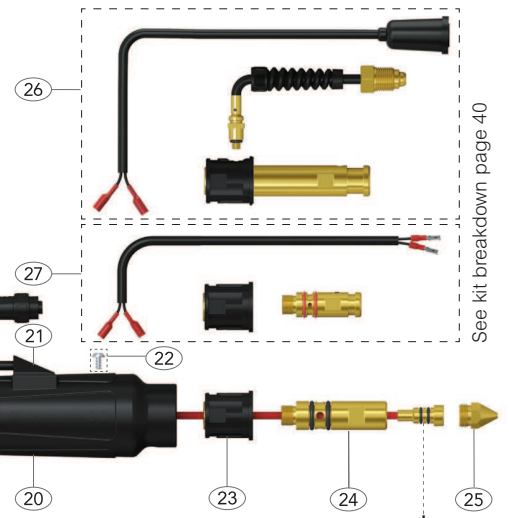
BN 400E

Air-Cooled Mig Welding Torch
 Rating: 400A CO₂ 320A mixed gas, EN60974-7 @ 60% duty cycle. 0.8 to 1.6mm wires



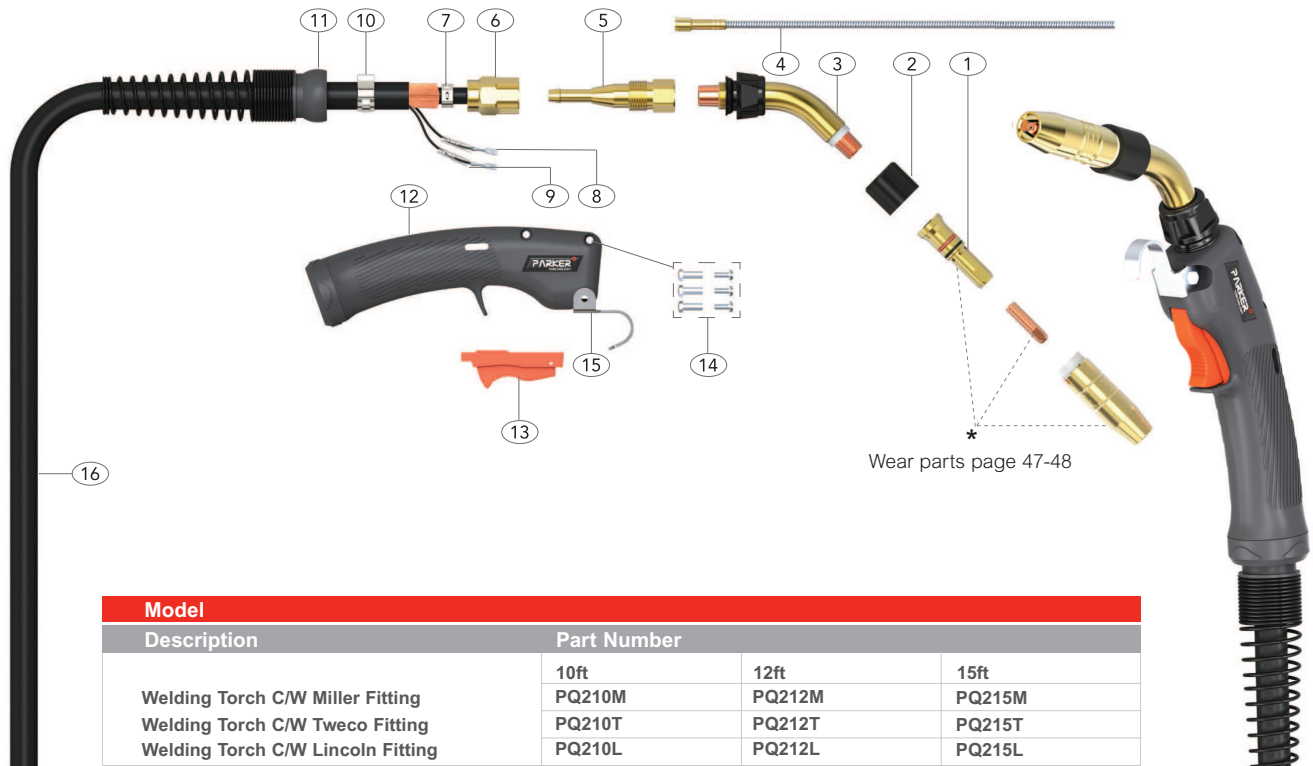
Model			
Description	Part Number		
Welding Torch C/W Miller Fitting	10ft P4E410M	12ft P4E412M	15ft P4E415M
Welding Torch C/W Tweco Fitting	P4E410T	P4E412T	P4E415T
Welding Torch C/W Lincoln Fitting	P4E410L	P4E412L	P4E415L

Spare parts			
Part Number	Description	Part Number	Description
1	P4435 Head Assembly	20	PT5022 Gun Plug Housing Assembly
2	P4423R Rubber Cap	21	SC8017 Large Housing Wire Cover
3	P4790 Swan Neck Assembly	22	PBL1541 Gun Plug Screw
4	P4780 Neck Insulator	23	PECEM5060/2 Hybrid Plug Body BND
5	P4213B End Fitting	24	PECEM5060/1 Ece Miller Power Pin
6	PR4305 Cone Nut	25	PML1570 Wire Guide 0.35" - 1/16"
7	PB5046 Hose Clamp 12mm		PML1571 Wire Guide 5/16" - 3/32"
8	PB1521 Cable Terminal	26	PECEL5060K Lincoln Connector Kit Complete
9	PB1521-C Cable Terminal Cover	27	PECET5060K Tweco Connector Kit Complete
10	P132-12 Hose Clamp 21mm		
11	PBE8018 Spring Cable Support & Ball Joint		
12	PN1780006 Handle Kit C/W Screws & Nuts & Hook		
13	P5662 Trigger Switch		
14	P1880004 Screw Pack		
15	PR4238 Hanger Hook		
16	P4361TE Duraflex Cable Assembly X 10ft		
	P4362TE Duraflex Cable Assembly X 12ft		
	P4365TE Duraflex Cable Assembly X 15ft		
17	PC8026 Cable Support		
18	PB1522 Cable Terminal Male		
19	PT8028 Spring Cable Support Nut		



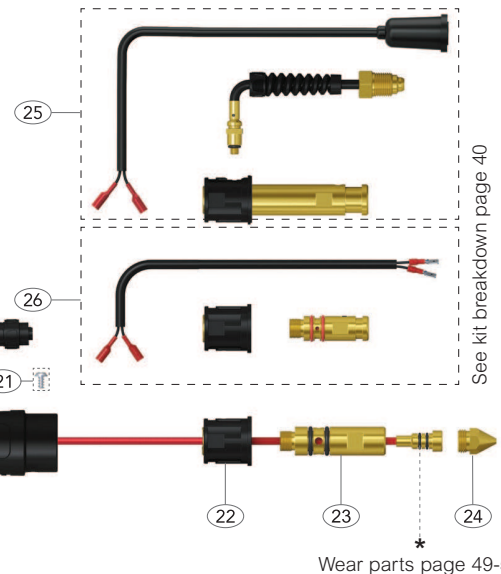
BN'Q' 200A

Air-Cooled Mig Welding Torch
 Rating: 200A CO₂, 150A mixed gas, EN60974-7 @ 60% duty cycle. 0.8 to 1.2mm wires



Model			
Description	Part Number		
Welding Torch C/W Miller Fitting	10ft PQ210M	12ft PQ212M	15ft PQ215M
Welding Torch C/W Tweco Fitting	PQ210T	PQ212T	PQ215T
Welding Torch C/W Lincoln Fitting	PQ210L	PQ212L	PQ215L

Spare parts			
Part Number	Description	Part Number	Description
1	P4335 Head Assembly	20	SC2578H/L Gun Plug Housing
2	P4323R Rubber Cap	21	PBL1541 Gun Plug Screw
3	PQT2-45 Swan Neck Assembly	22	ECEM5060/2 Hybrid Plug Body BND
4	PQJL-3545 Jump Liner 0.035"-0.045"/0.9-1.2mm	23	ECEM5060/1 Ece Miller Power Pin
5	P4213B End Fitting	24	ML1570 Wire Guide 0.35" - 1/16"
6	PR4305 Cone Nut	ML1571	Wire Guide 5/16" - 3/32"
7	PB5046 Hose Clamp 12mm	25	ECEL5060K Lincoln Connector Kit Complete
8	PB1521 Cable Terminal	26	ECET5060K Tweco Connector Kit Complete
9	PB1521-C Cable Terminal Cover		
10	PB5044 Hose Clamp 18.5mm		
11	PBE8016 Spring Cable Support & Ball Joint		
12	PN1780006 Handle Kit C/W Screws & Nuts & Hook		
13	P5662 Trigger Switch		
14	P1880004 Screw Pack		
15	PR4238 Hanger Hook		
16	P8681TE Duraflex Cable Assembly X 10ft		
	P8682TE Duraflex Cable Assembly X 12ft		
	P8685TE Duraflex Cable Assembly X 15ft		
17	PA3541 Cable Support		
18	PB1522 Cable Terminal Male		
19	SCSP1-1 Gun Plug Housing Screw		



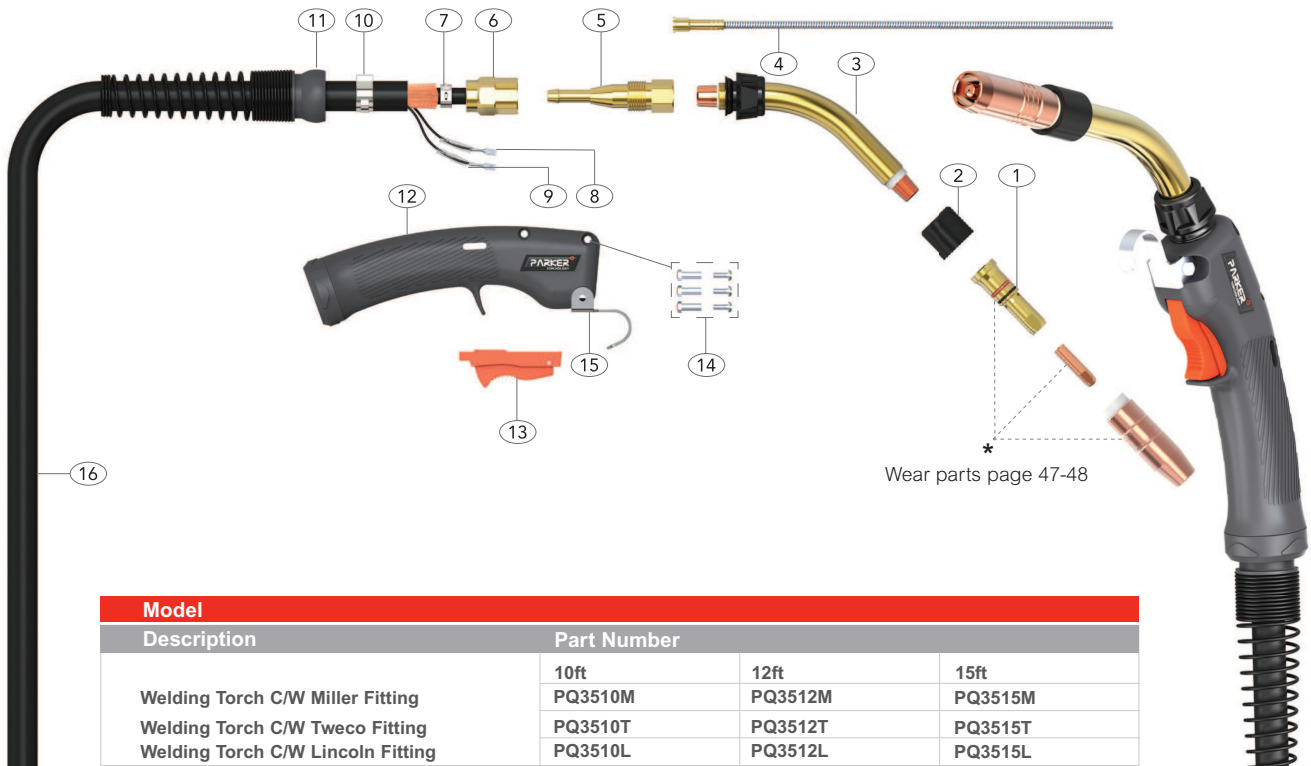
BND ICON Mig/Mag Torch Range

USA Terminations



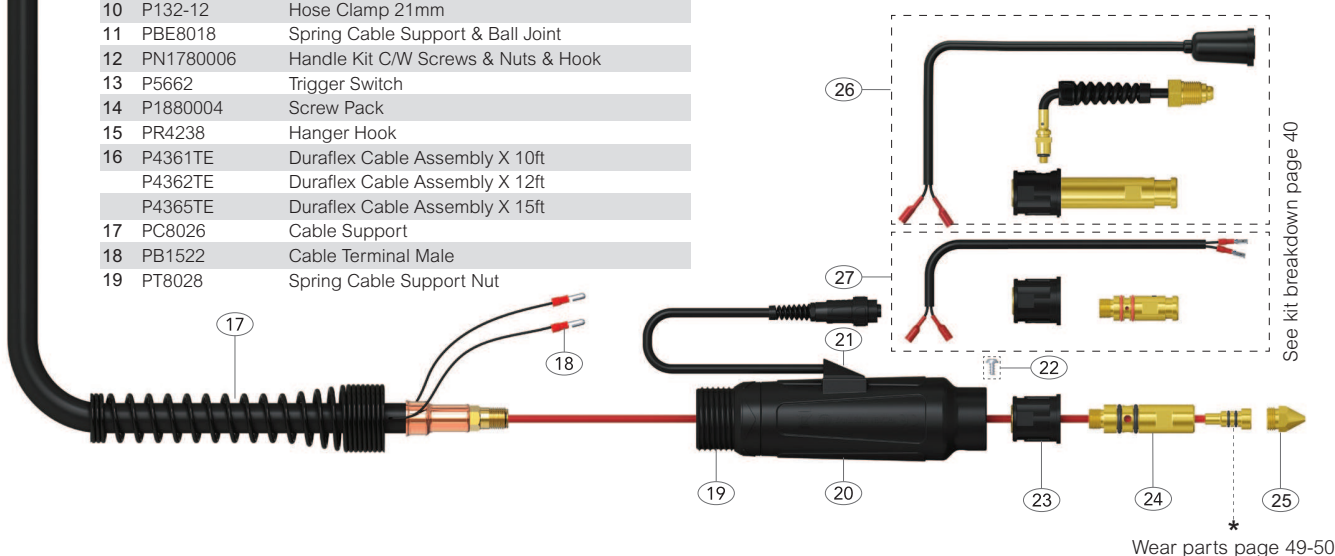
BN'Q' 350A

Air-Cooled Mig Welding Torch
 Rating: 350A CO₂, 250A mixed gas, EN60974-7 @ 60% duty cycle. 0.8 to 1.6mm wires

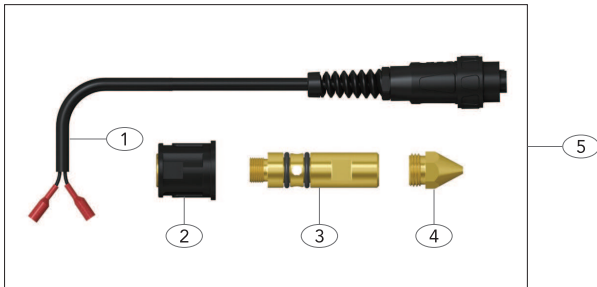


Model			
Description	Part Number		
	10ft	12ft	15ft
Welding Torch C/W Miller Fitting	PQ3510M	PQ3512M	PQ3515M
Welding Torch C/W Tweco Fitting	PQ3510T	PQ3512T	PQ3515T
Welding Torch C/W Lincoln Fitting	PQ3510L	PQ3512L	PQ3515L

Spare parts			
Part Number	Description	Part Number	Description
1	P4335 Head Assembly	20	PT5022 Gun Plug Housing Assembly
2	P4323R Rubber Cap	21	SC8017 Large Housing Wire Cover
3	PQT3-45 Swan Neck Assembly	22	PBL1541 Gun Plug Screw
4	PQJL-3545 Jump Liner 0.035"- 0.045"/0.9-1.2mm	23	ECEM5060/2 Hybrid Plug Body BND
5	P4213B End Fitting	24	ECEM5060/1 Ece Miller Power Pin
6	PR4305 Cone Nut	25	ML1570 Wire Guide 0.35" - 1/16"
7	PB5046 Hose Clamp 12mm		ML1571 Wire Guide 5/16" - 3/32"
8	PB1521 Cable Terminal	26	ECEL5060K Lincoln Connector Kit Complete
9	PB1521-C Cable Terminal Cover	27	ECET5060K Tweco Connector Kit Complete
10	P132-12 Hose Clamp 21mm		
11	PBE8018 Spring Cable Support & Ball Joint		
12	PN1780006 Handle Kit C/W Screws & Nuts & Hook		
13	P5662 Trigger Switch		
14	P1880004 Screw Pack		
15	PR4238 Hanger Hook		
16	P4361TE Duraflex Cable Assembly X 10ft		
	P4362TE Duraflex Cable Assembly X 12ft		
	P4365TE Duraflex Cable Assembly X 15ft		
17	PC8026 Cable Support		
18	PB1522 Cable Terminal Male		
19	PT8028 Spring Cable Support Nut		

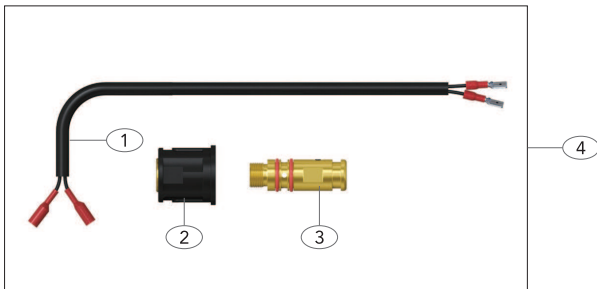


Miller



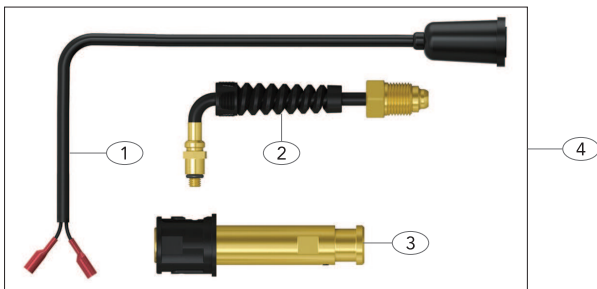
Direct Plug Connector	
Part Number	Description
1	PECEM1575/SW Miller Plug Assembly
2	PECEM5060/2 Hybrid Plug Body BND
3	PECEM5060/1 Ece Miller Power Pin
4 *	PML1570 Wire Guide 0.35" - 1/16"
	PML1571 Wire Guide 5/16" - 3/32"
5	PECEM5060K Connector Kit Complete

Tweco



Direct Plug Connector	
Part Number	Description
1	PECEL1575/SW Switch Wire Assembly
2	PECEM5060/2 Hybrid Plug Body BND
3	PECEM5060/1 Tweco 1-4 Power Pin
4	PECEM5060K Connector Kit Complete

Lincoln



Direct Plug Connector	
Part Number	Description
1	PM16725 Lincoln Plug Assembly
2	PECEL1575/G Lincoln Gas Tube Assembly
3	PECEL5060 Lincoln Power Pin
4	PECEL5060K Connector Kit Complete

* Denotes torch package standard wear part set up

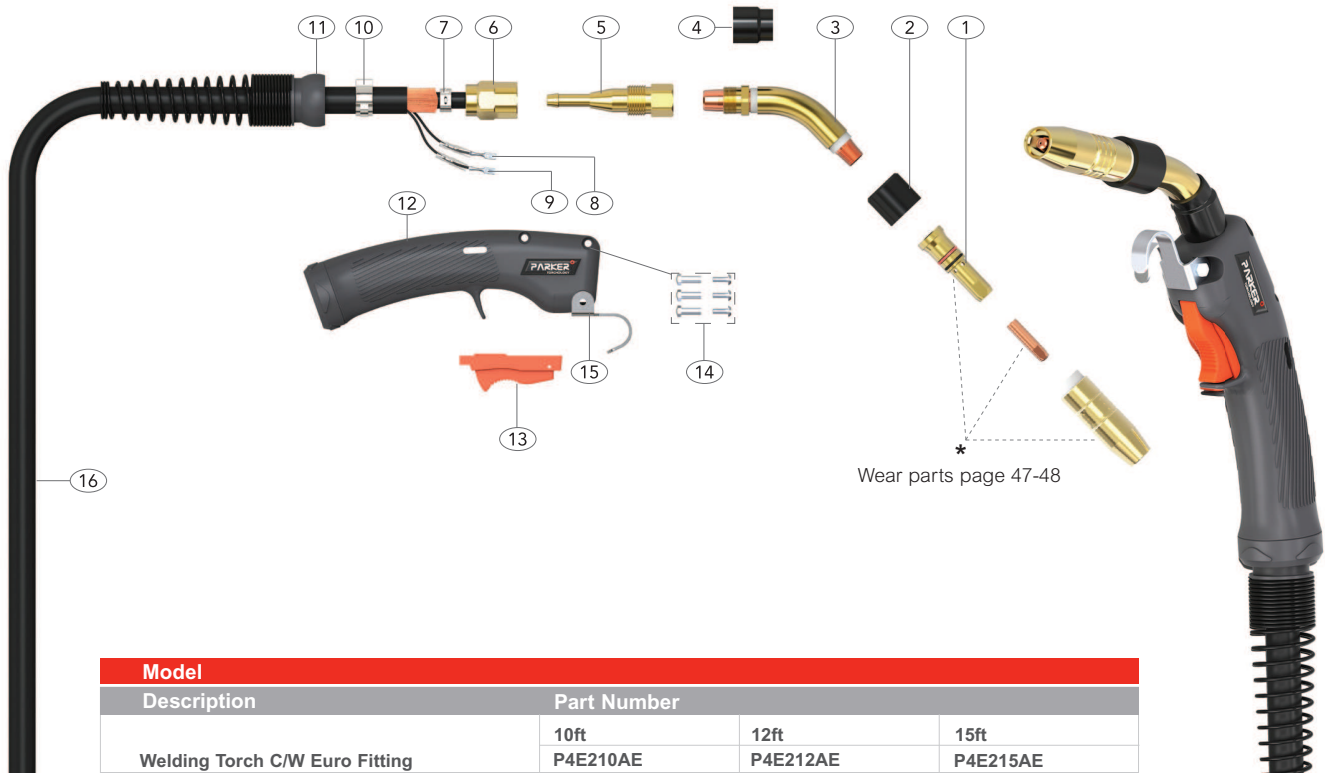
BND ICON Mig/Mag Torch Range

Euro Termination



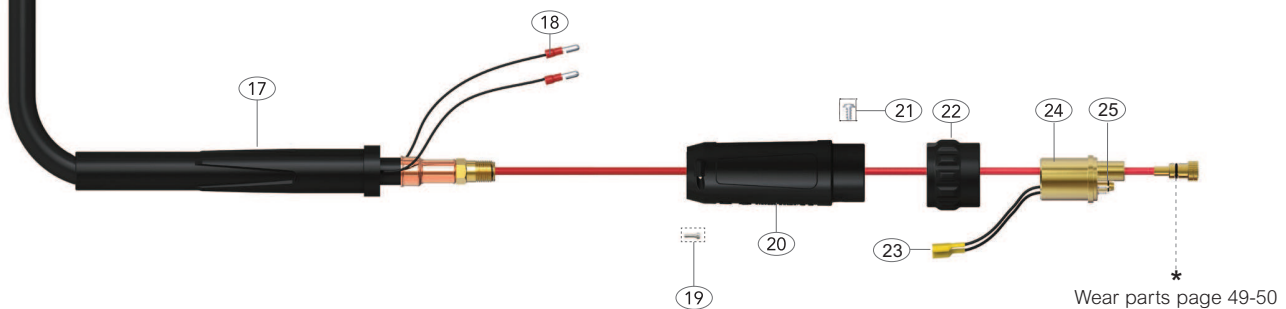
BN 200E

Air-Cooled Mig Welding Torch
 Rating: 200A CO₂, 150A mixed gas, EN60974-7 @ 60% duty cycle. 0.8 to 1.2mm wires

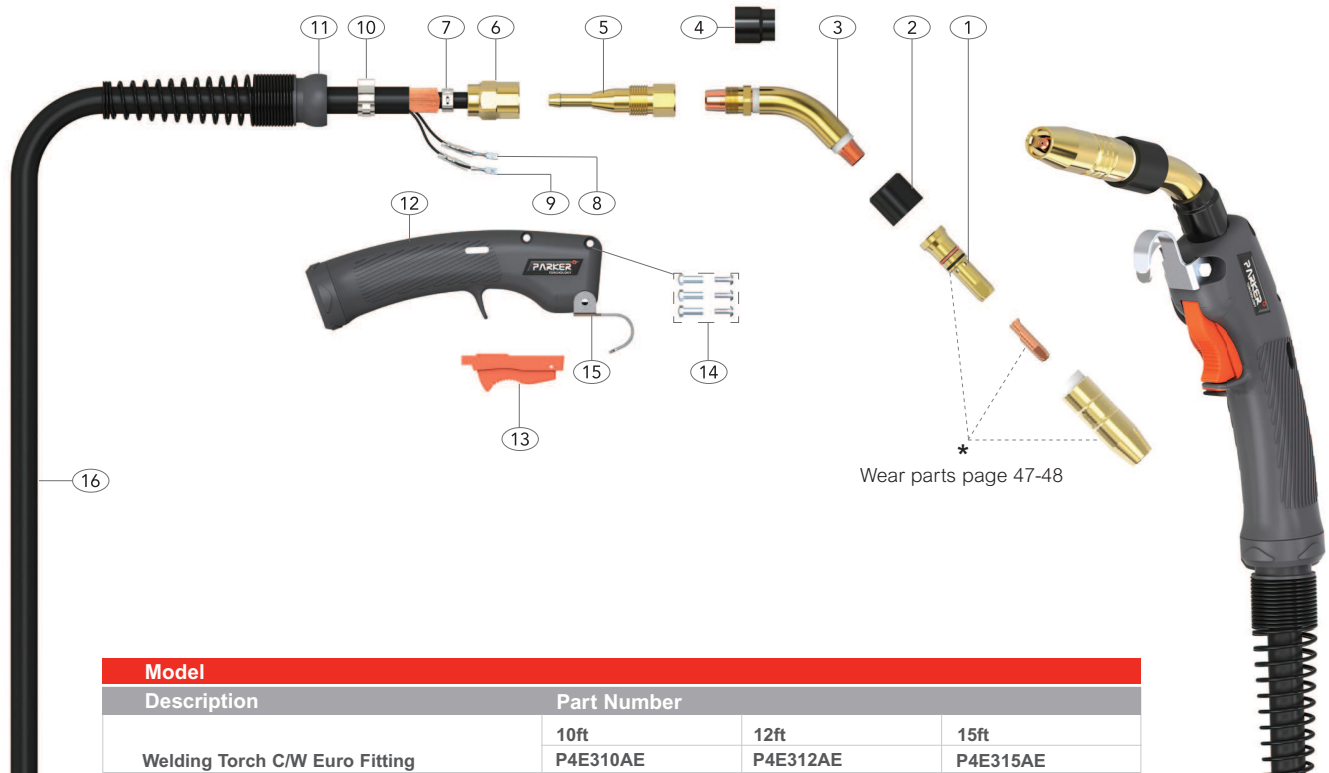


Model			
Description	Part Number		
	10ft	12ft	15ft
Welding Torch C/W Euro Fitting	P4E210AE	P4E212AE	P4E215AE

Spare parts				
Part Number	Description	Part Number	Description	
1	P4335	17	PA3541	Cable Support
2	P4323R	18	PB1522	Cable Terminal Male
3	P4786	19	SCSP1-1	Gun Plug Housing Screw
4	P4780	20	SC2578/L	Gun Plug Housing
5	P4213B	21	PB1526	Gun Plug Screw
6	PR4305	22	PC1519/S	Gun Plug Nut
7	PB5046	23	PB1523	Gun Plug Terminal Female
8	PB1521	24	P5060	Gun Plug Body
9	PB1521-C	25	PB1524	Gun Plug 'O' Ring
10	PB5044			
11	PBE8016			
12	PN1780006			
13	P5662			
14	P1880004			
15	PR4238			
16	P8681TE			
	P8682TE			
	P8685TE			

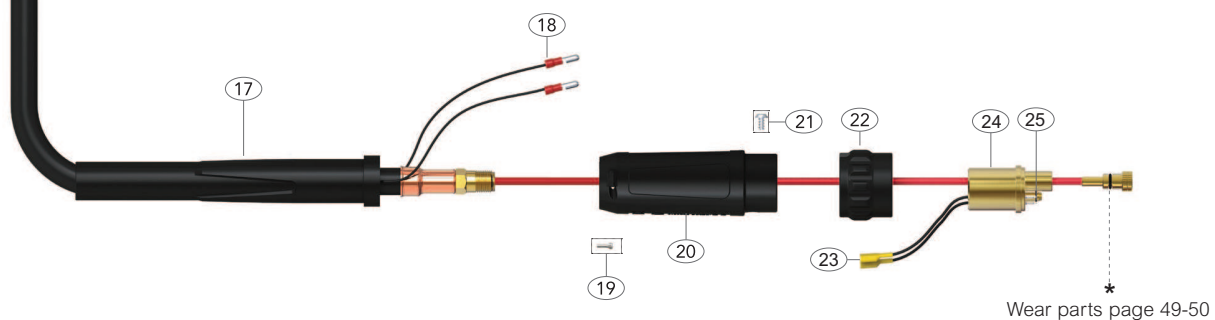


BN 300E Air-Cooled Mig Welding Torch
Rating: 300A CO₂, 200A mixed gas, EN60974-7 @ 60% duty cycle. 0.8 to 1.2mm wires



Model			
Description	Part Number		
	10ft	12ft	15ft
Welding Torch C/W Euro Fitting	P4E310AE	P4E312AE	P4E315AE

Spare parts			
Part Number	Description	Part Number	Description
1	P4335 Head Assembly	17	PA3541 Cable Support
2	P4323R Rubber Cap	18	PB1522 Cable Terminal Male
3	P4786 Swan Neck Assembly	19	SCSP1-1 Gun Plug Housing Screw
4	P4780 Neck Insulator	20	SC2578/L Gun Plug Housing
5	P4213B End Fitting	21	PB1526 Gun Plug Screw
6	PR4305 Cone Nut	22	PB1519/S Gun Plug Nut
7	PB5046 Hose Clamp 12mm	23	PB1523 Gun Plug Terminal Female
8	PB1521 Cable Terminal	24	P5060 Gun Plug Body
9	PB1521-C Cable Terminal Cover	25	PB1524 Gun Plug 'O' Ring
10	PB5044 Hose Clamp 18.5mm		
11	PBE8016 Spring Cable Support & Ball Joint		
12	PN1780006 Handle Kit C/W Screws & Nuts & Hook		
13	P5662 Trigger Switch		
14	P1880004 Screw Pack		
15	PR4238 Hanger Hook		
16	P4261TE Duraflex Cable Assembly X 10ft		
	P4262TE Duraflex Cable Assembly X 12ft		
	P4265TE Duraflex Cable Assembly X 15ft		



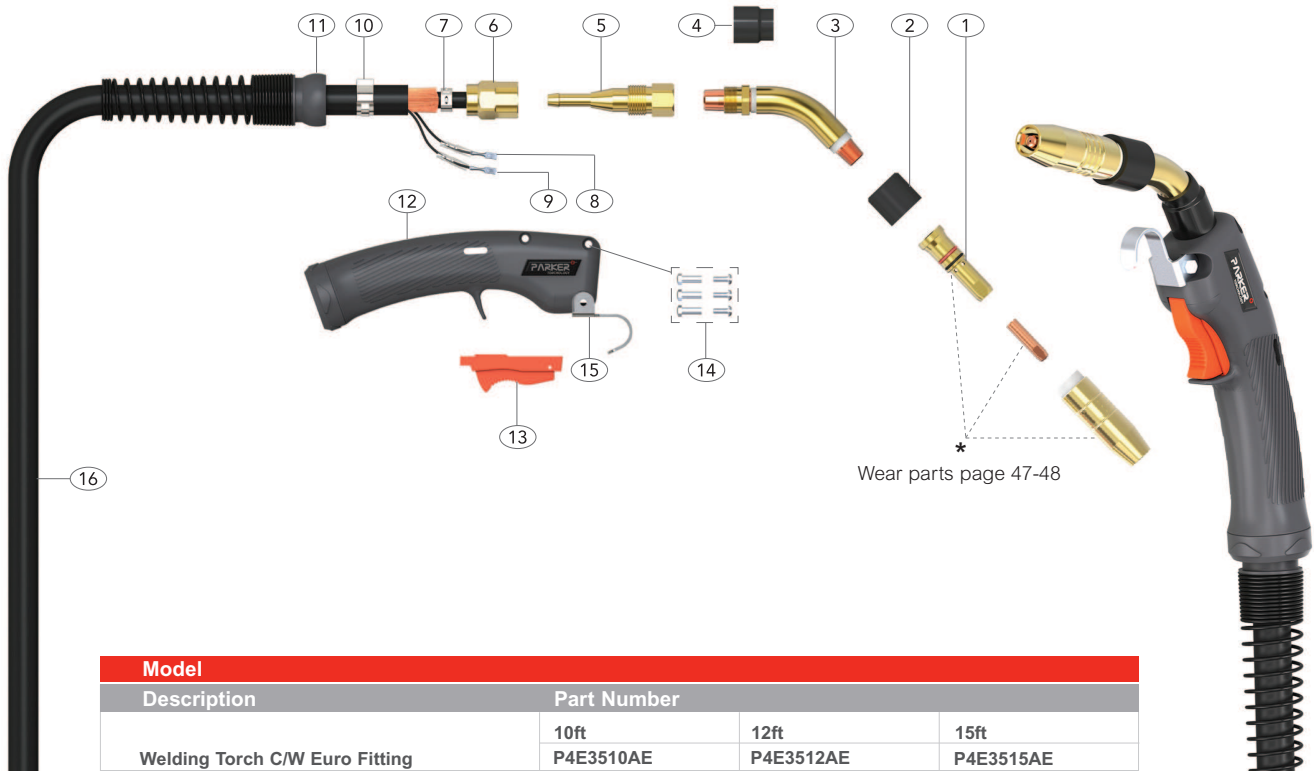
BND ICON Mig/Mag Torch Range

Euro Termination



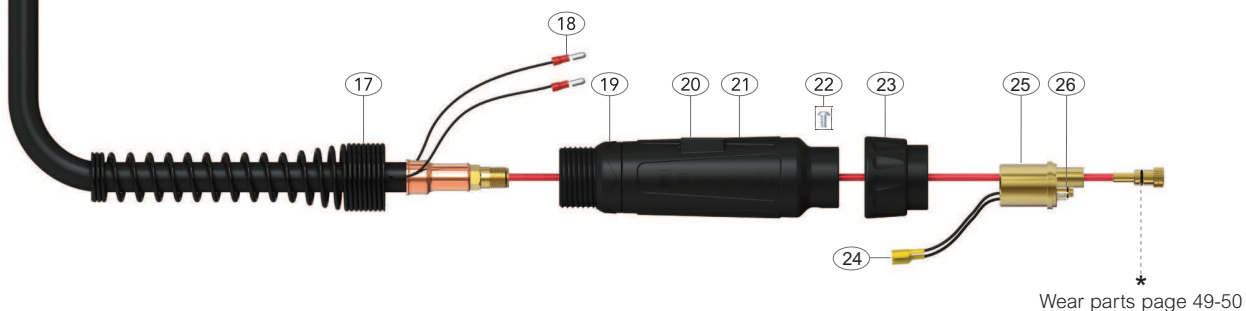
BN 350E

Air-Cooled Mig Welding Torch
 Rating: 350A CO₂, 250A mixed gas, EN60974-7 @ 60% duty cycle. 0.8 to 1.2mm wires

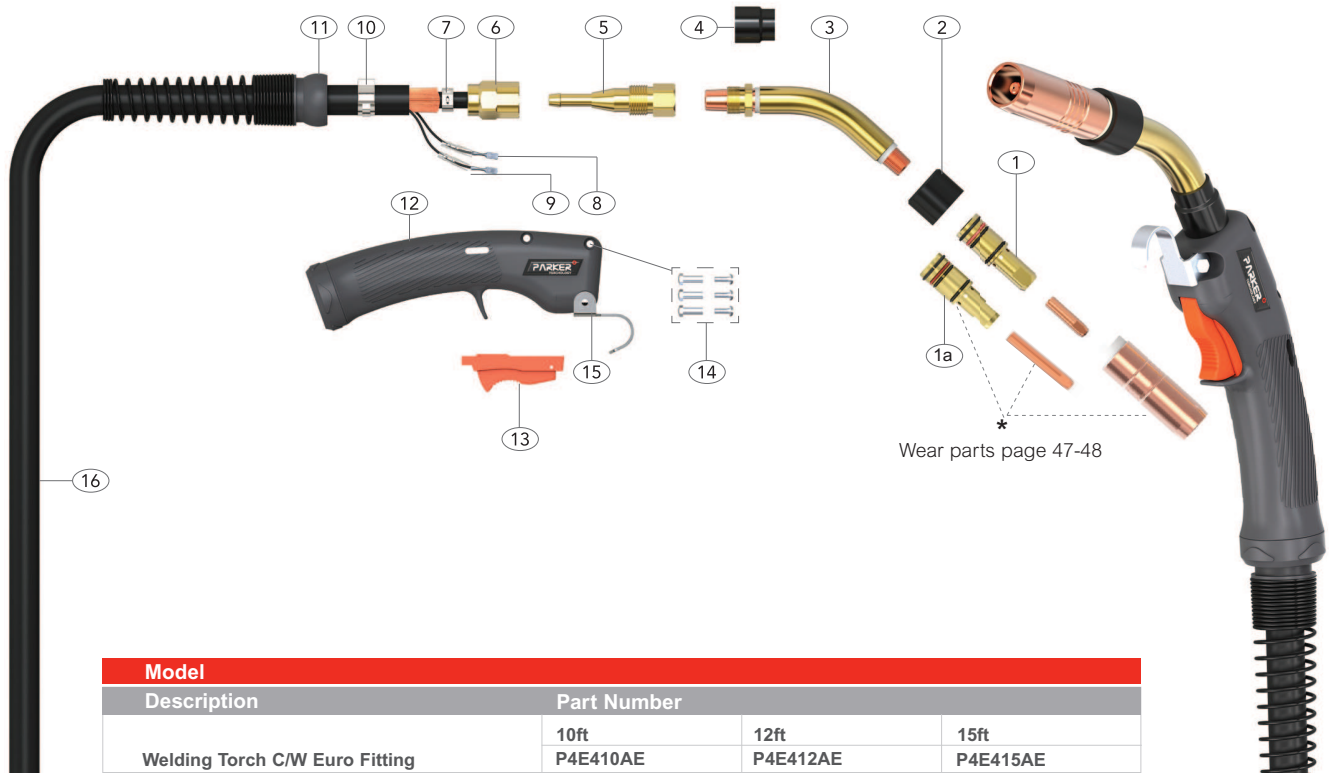


Model			
Description	Part Number		
	10ft	12ft	15ft
Welding Torch C/W Euro Fitting	P4E3510AE	P4E3512AE	P4E3515AE

Spare parts			
Part Number	Description	Part Number	Description
1	P4335 Head Assembly	17	PC8026 Housing Spring
2	P4323R Rubber Cap	18	PB1522 Cable Terminal Male
3	P4786 Swan Neck Assembly	19	PT8028 Spring Cable Support Nut
4	P4780 Neck Insulator	20	SC8017 Large Housing Cover
5	P4213B End Fitting	21	PT5022 Gun Plug Housing Assembly
6	PR4305 Cone Nut	22	PB1526 Gun Plug Screw
7	PB5046 Hose Clamp 12mm	23	PB1519/S Euro Housing Nut Assembly
8	PB1521 Cable Terminal	24	PB1523 Gun Plug Terminal Female
9	PB1521-C Cable Terminal Cover	25	P5060 Gun Plug Body
10	P132-12 Hose Clamp 21mm	26	PB1524 Gun Plug 'O' Ring
11	PBE8018 Spring Cable Support & Ball Joint		
12	PN1780006 Handle Kit C/W Screws & Nuts & Hook		
13	P5662 Trigger Switch		
14	P1880004 Screw Pack		
15	PR4238 Hanger Hook		
16	P4361TE Duraflex Cable Assembly X 10ft		
	P4362TE Duraflex Cable Assembly X 12ft		
	P4365TE Duraflex Cable Assembly X 15ft		

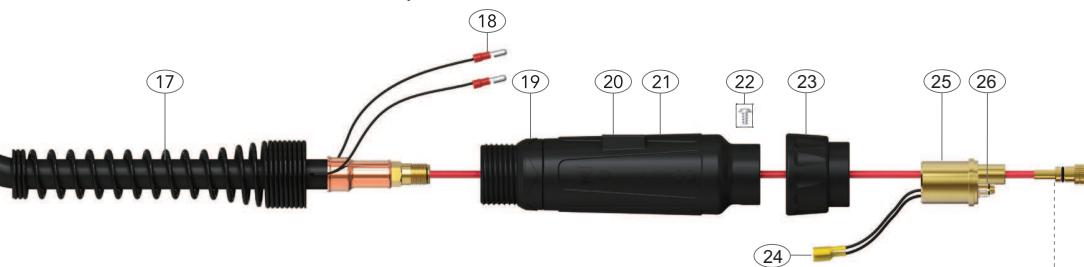


BN 400E Air-Cooled Mig Welding Torch
Rating: 400A CO₂ 320A mixed gas, EN60974-7 @ 60% duty cycle. 0.8 to 1.6mm wires



Model			
Description	Part Number		
Welding Torch C/W Euro Fitting	10ft	12ft	15ft
	P4E410AE	P4E412AE	P4E415AE

Spare parts					
Part Number	Description	Part Number	Description		
1	P4435	Head Assembly	17	PC8026	Housing Spring
1a	P4635	Head Assembly	18	PB1522	Cable Terminal Male
2	P4423R	Rubber Cap	19	PT8028	Spring Cable Support Nut
3	P4790	Swan Neck Assembly	20	SC8017	Large Housing Cover
4	P4780	Neck Insulator	21	PT5022	Gun Plug Housing Assembly
5	P4213B	End Fitting	22	PB1526	Gun Plug Screw
6	PR4305	Cone Nut	23	PB1519/S	Euro Housing Nut Assembly
7	PB5046	Hose Clamp 12mm	24	PB1523	Gun Plug Terminal Female
8	PB1521	Cable Terminal	25	P5060	Gun Plug Body
9	PB1521-C	Cable Terminal Cover	26	PB1524	Gun Plug 'O' Ring
10	P132-12	Hose Clamp 21mm			
11	PBE8018	Spring Cable Support & Ball Joint			
12	PN1780006	Handle Kit C/W Screws & Nuts & Hook			
13	P5662	Trigger Switch			
14	P1880004	Screw Pack			
15	PR4238	Hanger Hook			
16	P4361TE	Duraflex Cable Assembly X 10ft			
	P4362TE	Duraflex Cable Assembly X 12ft			
	P4365TE	Duraflex Cable Assembly X 15ft			

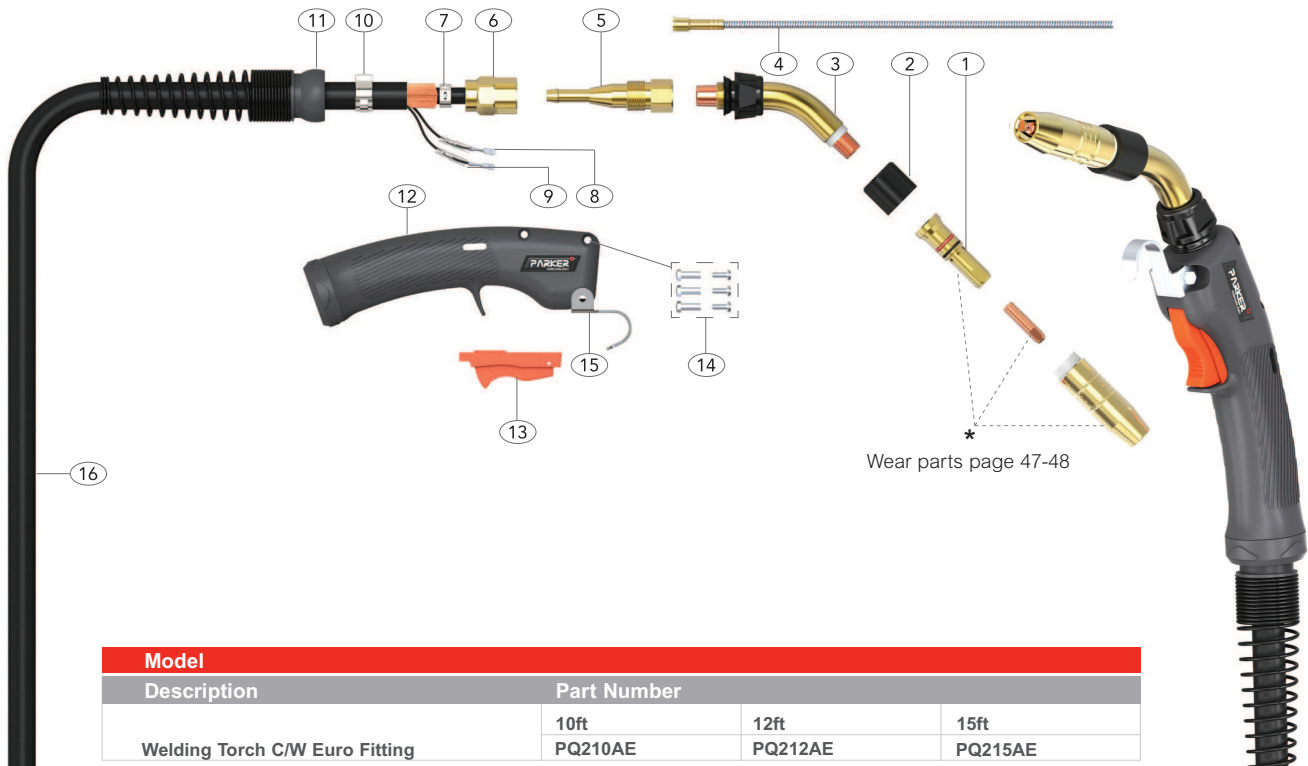


BND ICON Mig/Mag Torch Range

Euro Termination

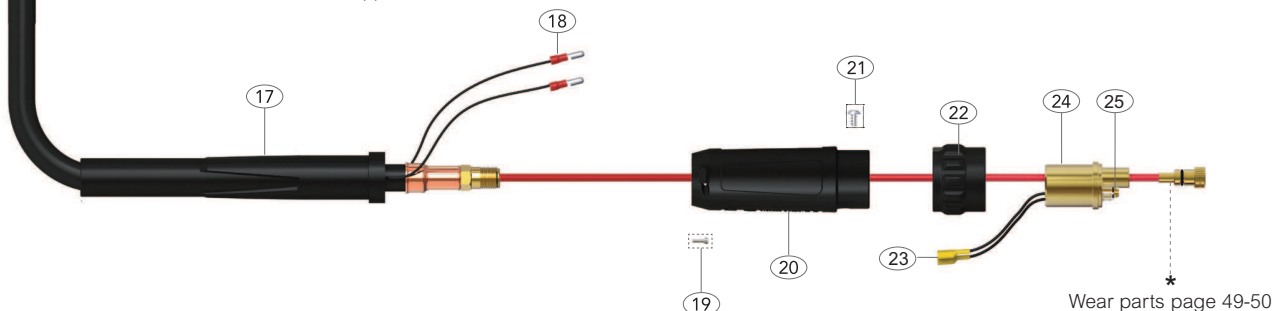
BN'Q' 200A

Air-Cooled Mig Welding Torch
Rating: 200A CO₂, 150A mixed gas, EN60974-7 @ 60% duty cycle. 0.8 to 1.2mm wires



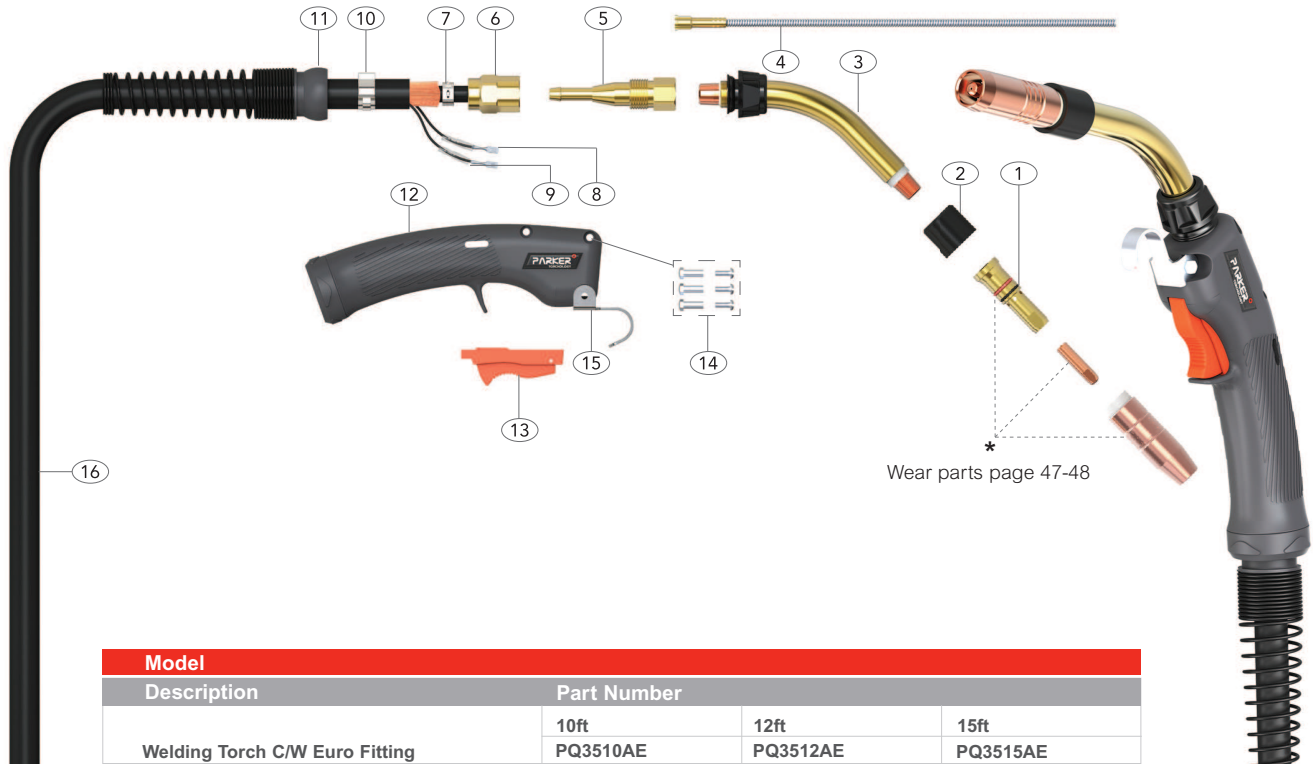
Model			
Description	Part Number		
Welding Torch C/W Euro Fitting	10ft	12ft	15ft
	PQ210AE	PQ212AE	PQ215AE

Spare parts					
Part Number	Description	Part Number	Description		
1	P4335	Head Assembly	18	PB1522	Cable Terminal Male
2	P4323R	Rubber Cap	19	SCSP1-1	Gun Plug Housing Screw
3	PQT2-45	Swan Neck Assembly	20	SC2578/L	Gun Plug Housing
4	PQJL-3545	Jump Liner 0.035"-0.045"/0.9-1.2mm	21	PB1526	Gun Plug Screw
5	P4213B	End Fitting	22	PC1519/S	Gun Plug Nut
6	PR4305	Cone Nut	23	PB1523	Gun Plug Terminal Female
7	PB5046	Hose Clamp 12mm	24	P5060	Gun Plug Body
8	PB1521	Cable Terminal	25	PB1524	Gun Plug 'O' Ring
9	PB1521-C	Cable Terminal Cover			
10	PB5044	Hose Clamp 18.5mm			
11	PBE8016	Spring Cable Support & Ball Joint			
12	PN1780006	Handle Kit C/W Screws & Nuts & Hook			
13	P5662	Trigger Switch			
14	P1880004	Screw Pack			
15	PR4238	Hanger Hook			
16	P8681TE	Duraflex Cable Assembly X 10ft			
	P8682TE	Duraflex Cable Assembly X 12ft			
	P8685TE	Duraflex Cable Assembly X 15ft			
17	PA3541	Cable Support			



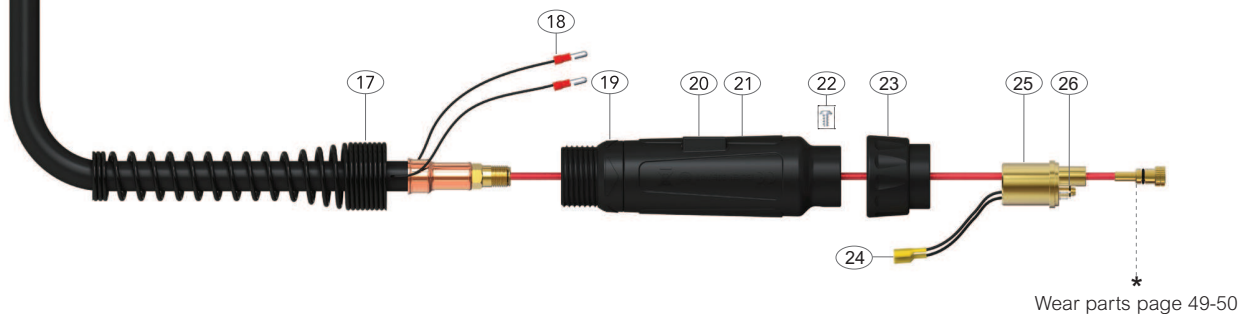
BN'Q' 350A

Air-Cooled Mig Welding Torch
Rating: 350A CO₂, 250A mixed gas, EN60974-7 @ 60% duty cycle. 0.8 to 1.6mm wires



Model			
Description	Part Number		
	10ft	12ft	15ft
Welding Torch C/W Euro Fitting	PQ3510AE	PQ3512AE	PQ3515AE

Spare parts			
Part Number	Description	Part Number	Description
1	P4335 Head Assembly	18	PB1522 Cable Terminal Male
2	P4323R Rubber Cap	19	PT8028 Spring Cable Support Nut
3	PQT3-45 Swan Neck Assembly	20	SC8017 Large Housing Cover
4	PQJL-3545 Jump Liner 0.035"- 0.045"/0.9-1.2mm	21	PT5022 Gun Plug Housing Assembly
5	P4213B End Fitting	22	PB1526 Gun Plug Screw
6	PR4305 Cone Nut	23	PB1519/S Euro Housing Nut Assembly
7	PB5046 Hose Clamp 12mm	24	PB1523 Gun Plug Terminal
8	PB1521 Cable Terminal	25	P5060 Gun Plug Body
9	PB1521-C Cable Terminal Cover	26	PB1524 Gun Plug 'O' Ring
10	P132-12 Hose Clamp 21mm		
11	PBE8018 Spring Cable Support & Ball Joint		
12	PN1780006 Handle Kit C/W Screws & Nuts & Hook		
13	P5662 Trigger Switch		
14	P1880004 Screw Pack		
15	PR4238 Hanger Hook		
16	P4361TE Duraflex Cable Assembly X 10ft		
	P4362TE Duraflex Cable Assembly X 12ft		
	P4365TE Duraflex Cable Assembly X 15ft		
17	PC8026 Cable Support		

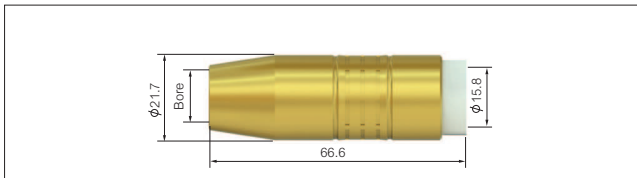


Wear Parts

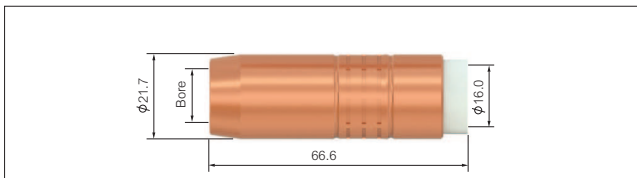
Nozzles

BND/BN'Q' 200E/300E/350E/200A/350A

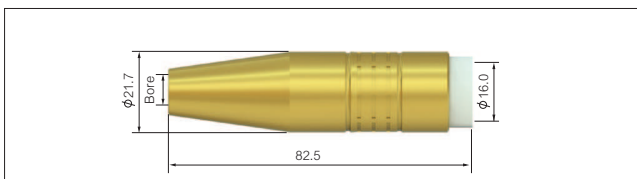
Part No.	Description	Bore	Wall	Material
P4391	Conical Nozzle	16.0	2.85MM	Brass
* P4392	Tapered Nozzle	12.7	2.85MM	Brass



P4393	HD Conical Nozzle	16.0	2.85MM	Copper
-------	-------------------	------	--------	--------

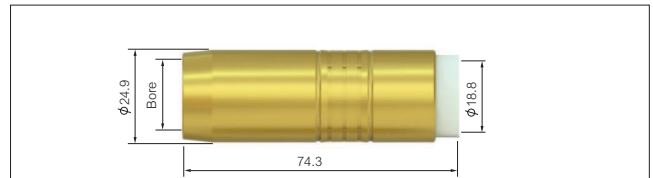


P4295	Pipeline Nozzle	9.50	2.85MM	Brass
-------	-----------------	------	--------	-------

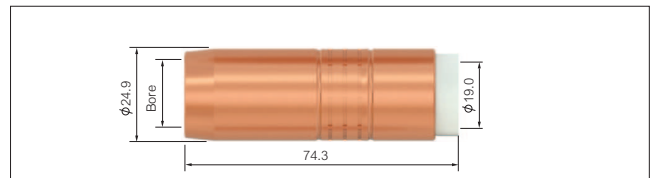


BND 400E

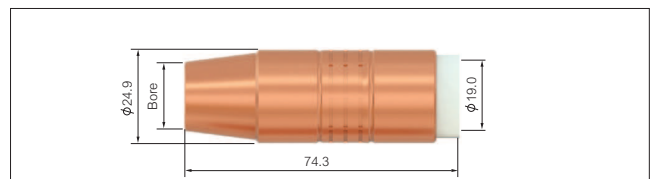
Part No.	Description	Bore	Wall	Material
* P4491	Conical Nozzle	19.0	2.95MM	Brass
P4492	Tapered Nozzle	14.0	2.95MM	Brass



P4591	HD Conical Nozzle	19.0	2.95MM	Copper
-------	-------------------	------	--------	--------



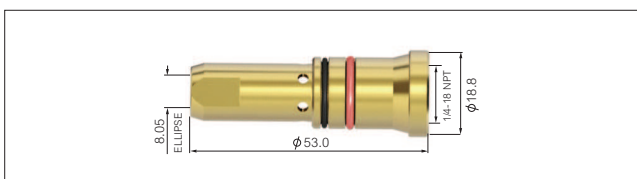
P4592	HD Conical Nozzle	14.0	2.95MM	Copper
-------	-------------------	------	--------	--------



Diffuser

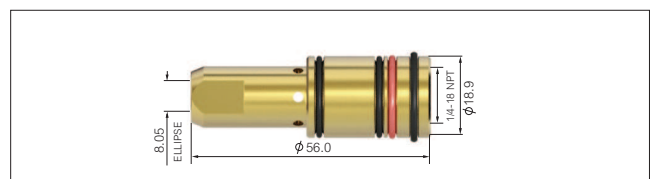
BND/BN'Q' 200E/300E/350E/200A/350A

Part No.	Description	Bore	Material
* P4335	Head Assembly		Brass



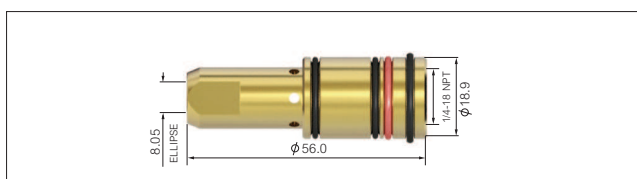
BND 400E

Part No.	Description	Bore	Material
* P4435	Head Assembly		Brass



BND 400E

Part No.	Description	Bore	Material
P4635	Head Assembly		Brass

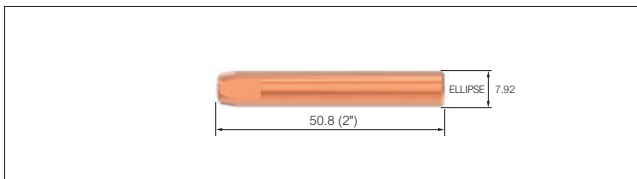


* Denotes torch package standard wear part set up

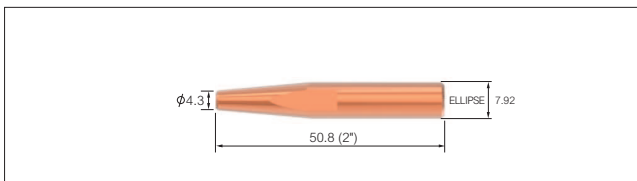
Contact Tips

BND/BN'Q' 200E/300E/350E/400E/200A/350A

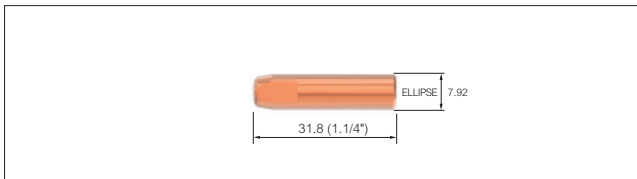
Part No.	Description	Wire Size		Material
		MM	INCH	
P1588	Contact Tip	0.8	0.030	Ecu
P1589	Contact Tip	0.9	0.035	Ecu
P1590	Contact Tip	1.2	0.045	Ecu
P1591	Contact Tip	1.6	1/16"	Ecu
P1596	Contact Tip	1.0	0.040	Ecu



P4280	Contact Tip	1.6	0.063	Ecu
P4281	Contact Tip	0.9	0.035	Ecu
P4282	Contact Tip	1.2	0.045	Ecu
P4283	Contact Tip	1.4	0.055	Ecu
P4285	Contact Tip	0.8	0.030	Ecu



P7488	Contact Tip	0.8	0.030	Ecu
P7489	Contact Tip	0.9	0.035	Ecu
* P7490	Contact Tip	1.2	0.045	Ecu
P7491	Contact Tip	1.6	1/16"	Ecu
P7496	Contact Tip	1.0	0.040	Ecu
P7498	Contact Tip	1.3	0.052	Ecu



* Denotes torch package standard wear part set up

Wear Parts

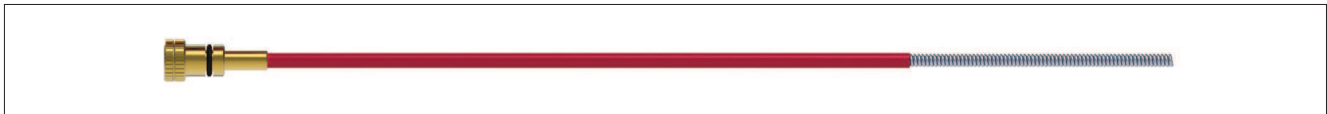
Liner Options 0.6-0.8mm

BND/BN'Q'				200E/200A	
Part No.	Description	Length	Nipple	Wire Size	
				MM	INCH
PA43010	Steel Liner X 10FT	3.80M	Brass Nipple	0.6-0.8	0.023-0.030
PA43015	Steel Liner X 15FT	4.90M	Brass Nipple	0.6-0.8	0.023-0.030

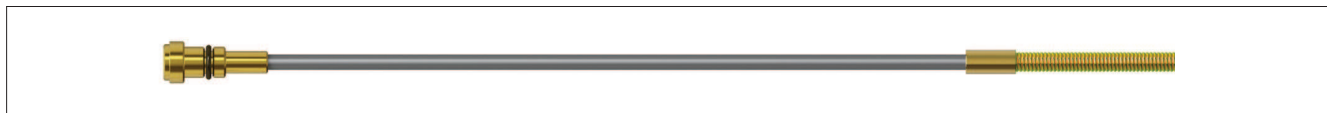


Liner Options 0.8-1.2mm

BND/BN'Q'				200E/300E/350E/200A/350A	
Part No.	Description	Length	Nipple	Wire Size	
				MM	INCH
* PA43110	Steel Liner X 10FT	3.80M	Brass Nipple	0.8-1.2	0.030-0.045
* PA43115	Steel Liner X 15FT	4.90M	Brass Nipple	0.8-1.2	0.030-0.045
PA43125	Steel Liner X 25FT	8.10M	Brass Nipple	0.8-1.2	0.030-0.045



PN43110	Polyamide Liner X 10FT	3.80M	Brass Nipple	0.8-1.2	0.030-0.045
PN43115	Polyamide Liner X 15FT	4.90M	Brass Nipple	0.8-1.2	0.030-0.045
PN43125	Polyamide Liner X 25FT	8.10M	Brass Nipple	0.8-1.2	0.030-0.045



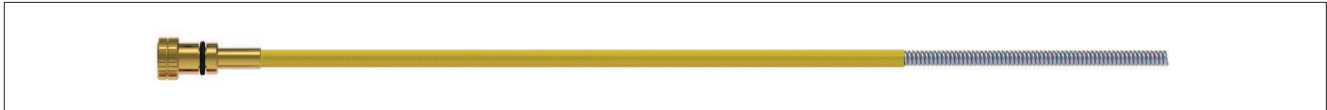
BND				400E	
Part No.	Description	Length	Nipple	Wire Size	
				MM	INCH
*PA44110	Steel Liner X 10FT	3.80M	Brass Nipple	0.8-1.2	0.030-0.045
*PA44115	Steel Liner X 15FT	4.90M	Brass Nipple	0.8-1.2	0.030-0.045



Liner Options 1.2-1.6mm

BND/BN'Q' 300E/350E/350A

Part No.	Description	Length	Nipple	Wire Size	
				MM	INCH
PA43210	Steel Liner X 10FT	3.80M	Brass Nipple	1.2-1.6	0.045-1/16"
PA43215	Steel Liner X 15FT	4.90M	Brass Nipple	1.2-1.6	0.045-1/16"
PA43225	Steel Liner X 25FT	8.10M	Brass Nipple	1.2-1.6	0.045-1/16"



PN43210	Polyamide Liner X 10FT	3.80M	Brass Nipple	1.2-1.6	1/16"
PN43215	Polyamide Liner X 15FT	4.90M	Brass Nipple	1.2-1.6	1/16"
PN43225	Polyamide Liner X 25FT	8.10M	Brass Nipple	1.2-1.6	1/16"



BND 400E

Part No.	Description	Length	Nipple	Wire Size	
				MM	INCH
PA44210	Steel Liner X 10FT	3.80M	Brass Nipple	1.2-1.6	0.045-1/16"
PA44215	Steel Liner X 15FT	4.90M	Brass Nipple	1.2-1.6	0.045-1/16"
PA44225	Steel Liner X 25FT	8.10M	Brass Nipple	1.2-1.6	0.045-1/16"



Liner Options 2.0mm

BND 400E

Part No.	Description	Length	Nipple	Wire Size	
				MM	INCH
PA44310	Steel Liner X 10FT	3.80M	Brass Nipple	2.0	5/64"
PA44315	Steel Liner X 15FT	4.90M	Brass Nipple	2.0	5/64"
PA44325	Steel Liner X 25FT	8.10M	Brass Nipple	2.0	5/64"

